



# The New Cleco 19-Series

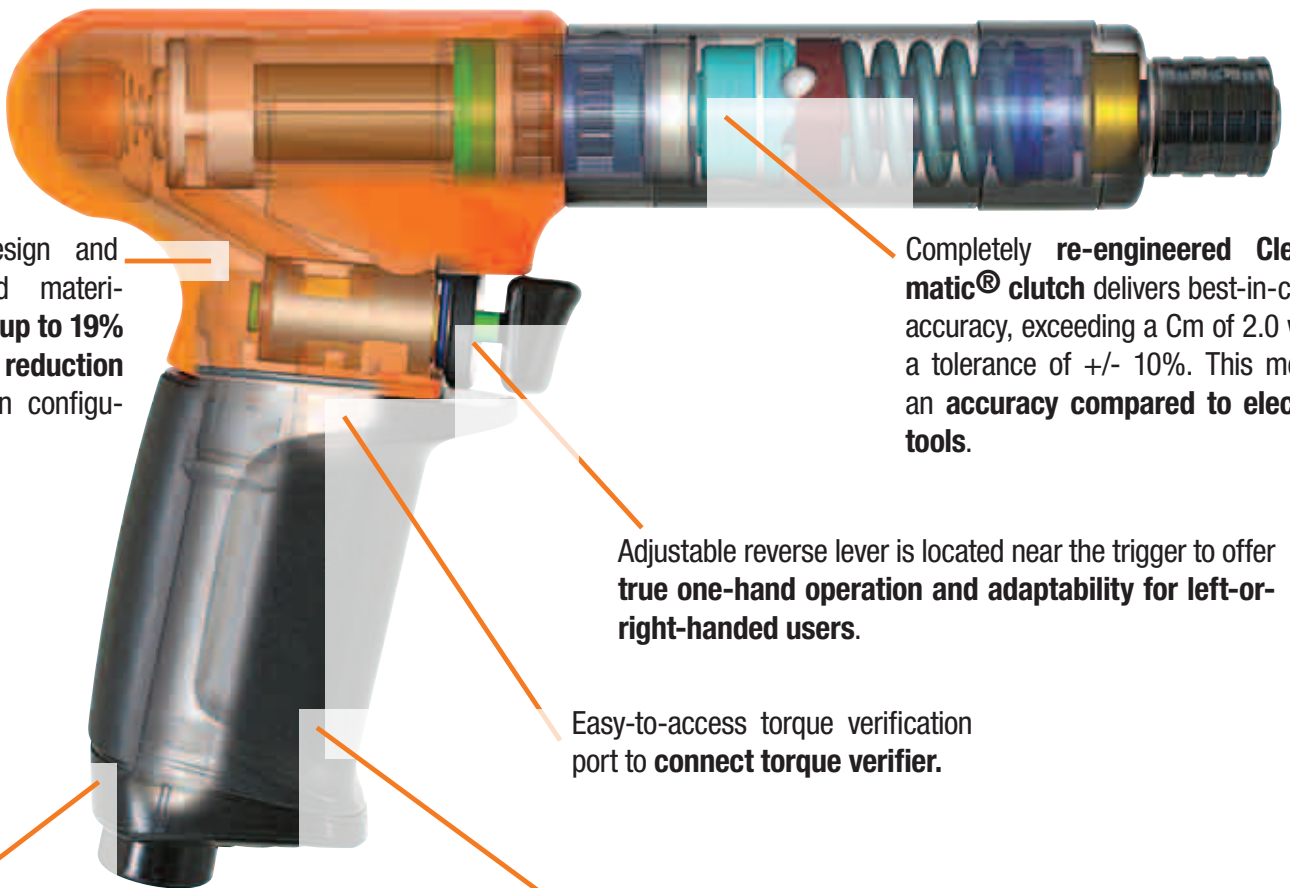
Unmatched Productivity. Uncompromising Comfort.

**Cleco**<sup>®</sup>

# Accuracy. Durability. Productivity.

## Legendary Reliability.

Your productivity is our greatest influence. Therefore, we have successfully combined your expertise and our experience in the development of the new Cleco 19-Series. Hence, the most accurate, longest-lasting and most user-friendly screw-driver family one the market has been created. The Cleco 19-Series offers you the ideal solution for the most demanding fastening applications where accuracy, repeatability and durability are held to the strictest standards.



New design and advanced materials yield **up to 19% weight reduction** based on configuration.

Completely **re-engineered Cleco-matic® clutch** delivers best-in-class accuracy, exceeding a Cm of 2.0 with a tolerance of +/- 10%. This meets an **accuracy compared to electric tools.**

Adjustable reverse lever is located near the trigger to offer **true one-hand operation and adaptability for left-or-right-handed users.**

Easy-to-access torque verification port to **connect torque verifier.**

Two **interchangeable grip sizes** adapt to the widest range of hands and provide **increased flexibility as well as reduced operating cost.**

**Soft-touch grip** is integrated into the newly designed handle to deliver superior protection against temperature, chemicals, vibration and slippage. For the operator, this means **improved ergonomics and reduced fatigue.**



Model Number	Torque Range		Free Speed (1/min)	Length (mm)	Weight (kg)	Head Height (mm)	Side to Center (mm)	Air Inlet	Recommended Hose Size
	Min. Nm	Max. Nm							
<b>Right Angle Clecomatic® clutch</b>									
19RAA02AM2	0.6	2.1	2400	303	0.8	27	9	1/8"	3/16"
19RAA02AH2	0.7	2.4	2100	316	0.8	30	13	1/8"	3/16"
19RAA02AH3	0.7	2.4	2100	316	0.8	30	13	1/8"	3/16"
19RAA03AM2	0.6	3.1	1650	310	0.8	27	9	1/8"	3/16"
19RAA03AH2	0.7	3.4	1450	321	0.9	30	13	1/8"	3/16"
19RAA03AH3	0.7	3.4	1450	321	0.9	30	13	1/8"	3/16"
19RAA04AM2	1.4	4.7	950	305	0.8	27	9	1/8"	3/16"
19RAA05AM2	1.4	5.7	570	316	0.8	27	9	1/8"	3/16"
19RAA06AH2*	1.5	6.0	850	316	0.8	30	13	1/8"	3/16"
19RAA06AH3	1.5	6.0	850	316	0.8	30	13	1/8"	3/16"
19RAA07AH2*	1.5	6.8	500	326	0.9	30	13	1/8"	3/16"
19RAA07AH3	1.5	6.8	500	326	0.9	30	13	1/8"	3/16"
19RAA09AH2*	2.0	8.5	500	326	0.9	30	13	1/8"	3/16"
19RAA09AH3	2.0	8.5	500	326	0.9	30	13	1/8"	3/16"
19RAA11AH2*	2.0	11.3	340	312	1.0	30	13	1/8"	3/16"
19RAA11AH3	2.0	11.3	340	312	1.0	30	13	1/8"	3/16"
19RAA12AH2*	2.0	11.3	200	326	0.9	30	13	1/8"	3/16"
19RAA12AH3	2.0	11.3	200	326	0.9	30	13	1/8"	3/16"



\* AH2 Angle Head Max. Rated Torque 5.7 Nm

Model Number	Max. Nm	Free Speed (1/min)	Length (mm)	Weight (kg)	Head Height (mm)	Side to Center (mm)	Air Inlet	Recommended Hose Size
<b>Right Angle Stall</b>								
19RAS03AM2	3.2	1700	290	0.6	27	9	1/8"	3/16"
19RAS04AH2	3.6	1500	284	0.6	30	13	1/8"	3/16"
19RAS05AM2	5.2	850	269	0.5	27	9	1/8"	3/16"
19RAS06AH3	6.2	880	279	0.6	30	13	1/8"	3/16"

Model Number	Torque Range		Free Speed (1/min)	Length (mm)	Weight (kg)	Air Inlet	Recommended Hose Size
	Min. Nm	Max. Nm					
<b>Inline Push-to-Start; Quick Change</b>							
19SPA02Q	0.6	2.1	2800	230	0.6	1/8"	3/16"
19SPA03Q	0.6	2.9	1900	235	0.6	1/8"	3/16"
19SPA04Q	1.1	4.5	1100	230	0.6	1/8"	3/16"
19SPA05Q	1.1	5.1	660	240	0.7	1/8"	3/16"
19SPA06Q	1.1	5.1	260	240	0.7	1/8"	3/16"
<b>Inline Lever Push-to-Start; Quick Change</b>							
19SCA02Q	0.6	2.1	2800	249	0.7	1/8"	3/16"
19SCA03Q	0.6	2.9	1900	254	0.7	1/8"	3/16"
19SCA04Q	1.1	4.5	1100	249	0.7	1/8"	3/16"
19SCA05Q	1.1	5.1	660	259	0.7	1/8"	3/16"
19SCA06Q	1.1	5.1	260	259	0.7	1/8"	3/16"



All performance data of the tools measured at 6.2 bar flow pressure at the air inlet. Air consumption generally at 310 l/min.

# Cleco 19-Series Specifications

	Model Number		Torque Range		Free Speed (1/min)	19P		19T		Air Inlet	Recom- mended Hose Size
	19P Series	19T Series	Min. Nm	Max. Nm		Length (mm)	Weight (kg)	Length (mm)	Weight (kg)		
P I S T O L	<b>Pistol Trigger Allow Push-to-Start Clecomatic® clutch</b>										
	19PCA02Q	19TCA02Q	0.6	2.1	2800	206	0.6	202	0.7	1/4"	3/8"
	19PCA03Q	19TCA03Q	0.6	2.9	1900	211	0.7	207	0.7	1/4"	3/8"
	19PCA04Q	19TCA04Q	1.1	4.5	1100	206	0.6	202	0.7	1/4"	3/8"
	19PCA05Q	19TCA05Q	1.1	5.1	660	216	0.7	212	0.7	1/4"	3/8"
	19PCA06Q	19TCA06Q	1.1	5.1	260	216	0.7	212	0.7	1/4"	3/8"
	19PCA07Q	19TCA07Q	1.7	6.8	660	216	0.7	212	0.7	1/4"	3/8"
	19PCA09Q	19TCA09Q	1.7	8.9	470	248	0.7	235	0.8	1/4"	3/8"
	<b>Pistol Trigger Start Clecomatic® clutch</b>										
	19PTA02Q	19TTA02Q	0.6	2.1	2800	204	0.6	199	0.7	1/4"	3/8"
	19PTA03Q	19TTA03Q	0.6	2.9	1900	209	0.7	204	0.7	1/4"	3/8"
	19PTA04Q	19TTA04Q	1.1	4.5	1100	204	0.6	199	0.7	1/4"	3/8"
	19PTA05Q	19TTA05Q	1.1	5.1	660	214	0.7	210	0.7	1/4"	3/8"
	19PTA06Q	19TTA06Q	1.1	5.1	260	214	0.7	210	0.7	1/4"	3/8"
	19PTA07Q	19TTA07Q	1.7	6.8	660	214	0.7	210	0.7	1/4"	3/8"
19PTA09Q	19TTA09Q	1.7	8.9	470	248	0.7	235	0.8	1/4"	3/8"	
19PTA15Q	19TTA15Q	5.1	14.7	260	247	0.9	243	0.9	1/4"	3/8"	
<b>Pistol Trigger Start Stall</b>											
19PTS02Q	19TTS02Q		2.1	2800	150	0.5	146	0.5	1/4"	3/8"	
19PTS03Q	19TTS03Q		2.9	1900	155	0.5	154	0.5	1/4"	3/8"	
19PTS04Q	19TTS04Q		4.5	1100	150	0.5	146	0.5	1/4"	3/8"	

All performance data of the tools measured at 6.2 bar flow pressure at the air inlet. Air consumption generally at 310 l/min.



19PTA-  
Series



19TTA-  
Series



19PTS-  
Series



19TTS-  
Series

A  
C  
C  
E  
S  
S  
O  
R  
I  
E  
S



Model Number	Description
--------------	-------------

#### Signal-Kits for TVP-110

301106	applicable with all inline- and right angle screwdrivers with shut-off and lever
302021PT	applicable with all pistol screwdrivers with shut-off

Model Number	Weight (kg)	Width (mm)	Height (mm)	Depth (mm)
--------------	-------------	------------	-------------	------------

#### Torque Verifier

TVP-110-30-E (230V)	2.72	222	232	105
---------------------	------	-----	-----	-----

Power cable, air signal-transducer, one 8m-cable for connection with air signal-transducer as well as one 2.3m-air cable for connection with transducer at the tool are included in delivery.

**NOTICE:** Tool has to be equipped with a Signal-Kit for TVP-110.

More accessories are available upon request. We are still offering bits, bit holders, springs, handles, balancers etc.

Frank GmbH  
Carl-F.-W.-Borgward-Str. 18  
28832 Achim  
Germany

Phone: 0049 4202 4756  
Fax: 0049 4202 881516  
Web: [www.franktools.de](http://www.franktools.de)  
E-Mail: [info@franktools.de](mailto:info@franktools.de)

**Cleco**®