

Cleco[®]



Productivity Is #1

The New Cleco D Series Pulse Tools

COOPER PowerTools

The New Cleco Pulse

Introducing the new Cleco D Series pulse tool family which combines our legendary durability with our customer's increasing demands for productivity.

Industry first motor design and revolutionary preventative maintenance distance the new D Series from the competition. With outstanding ergonomics, you'll never want to put this tool down.

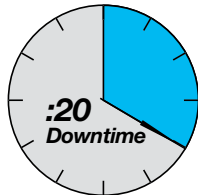
D Series redefines productivity by performing the job faster and staying on the job longer.



3X Increase Between Oil Changes.

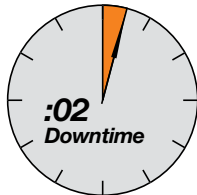
- Adjustable pulse chamber volume
- Tool achieves full torque after preventative maintenance
- No special tools needed

The average tool is out of service almost 20 minutes for maintenance of hydraulic impulse unit.



Average Tool

With Cleco's patented design, maintenance time is only 2 minutes!



New Cleco D Series



The new D Series, shown actual size, is considerably smaller and lighter than the old 55PTH ghosted in the background.

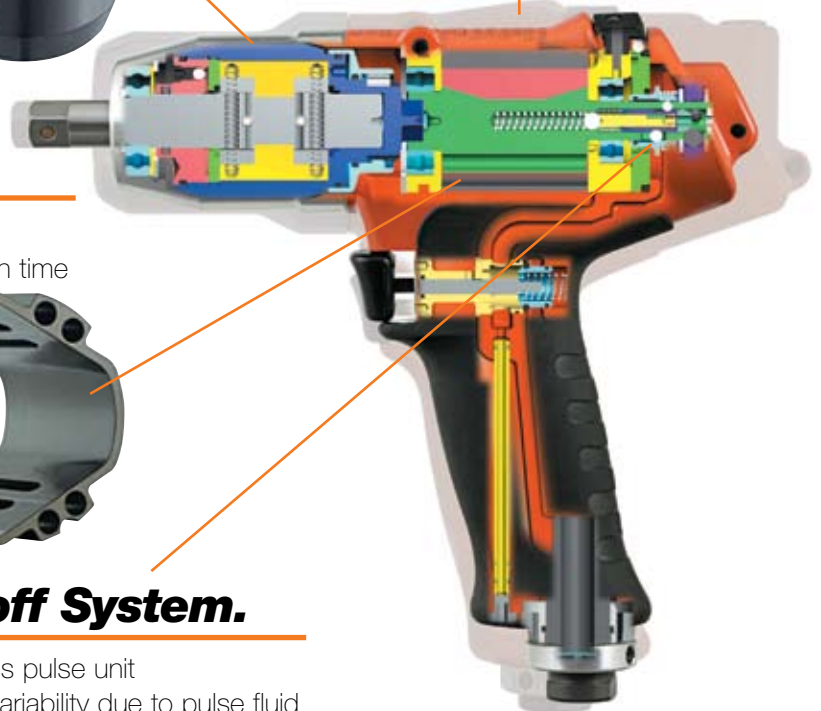
3-Chamber Air Motor.

- Increased motor torque, lowers cycle time
- Usable high-end speed minimizes rundown time
- Unique design reduces blade wear



Inertial Shut-off System.

- Onboard shut-off simplifies pulse unit
- Inertial shut-off removes variability due to pulse fluid



e Tools = Productivity



Easy Set-Up

- Insert 2mm hex into rear port of tool
- Positive stops in both directions to prevent loss and/or damage
- No confusion on which screw to adjust



Ships Ready For Error Proofing

- Works with existing TVP torque verifier
- Located near air inlet to maximize ergonomics



Standard air signal indicating tool shutoff for use with Cleco TVP Error Proofing System.

Cleco[®]

Cleco D Series Specifications



Model Number	Drive Type	Torque Range		Free Speed	Weight		Working CFM	Recommended Hose Size
		Ft. -Lbs.	Nm	RPM	lbs.	kg		
Pistol Grip – Shut-off Models – Trigger Throttle								
11PTHD65Q	1/4" QC	4.4-8.1	6-11	6500	1.87	0.85	12.3	3/8"
11PTHD652	1/4" Sq.Dr.	4.4-8.1	6-11	6500	1.81	0.82	12.3	3/8"
11PTHD653	3/8" Sq.Dr.	4.4-8.1	6-11	6500	1.83	0.83	12.3	3/8"
20PTHD75Q	1/4" QC	7.3-14.7	10-20	7500	1.92	0.87	12.3	3/8"
20PTHD753	3/8" Sq.Dr.	7.3-14.7	10-20	7500	1.90	0.86	12.3	3/8"
35PTHD65Q	1/4" QC	14.7-25.8	20-35	6500	2.2	1.0	16	3/8"
35PTHD653	3/8" Sq.Dr.	14.7-25.8	20-35	6500	2.2	1.0	16	3/8"
55PTHD603	3/8" Sq.Dr.	22.1-40.5	30-55	6000	2.4	1.1	19	3/8"
80PTHD60Q	7/16" QC	36.9-59	50-80	6000	3.2	1.45	19	3/8"
80PTHD604	1/2" Sq.Dr.	36.9-59	50-80	6000	3.1	1.4	19	3/8"
110PTHD55Q	7/16" QC	55.3-81.1	75-110	5500	3.75	1.7	30	1/2"
120PTHD554	1/2" Sq.Dr.	55.3-88.5	75-120	5500	3.75	1.7	30	1/2"

General:
Tools rated at 6.0 bar (87 PSI)
Tools rated at < 80 dBA

Standard Equipment:
Suspension bail; torque adjustment screwdriver; Torque error proofing signal port.

Accessories



Cleco TVP-100 Torque Verifier

- Verifies fastener installation with **OK/NOK** audio and visual indicators

Model Number		Language
115VAC	230VAC	
TVP-110-15-U	TVP-110-30-U	English
TVP-110-15-D	TVP-110-30-D	German
TVP-110-15-S	TVP-110-30-S	Spanish
TVP-110-15-P	TVP-110-30-P	Portuguese

All model numbers include power cable, air signal transducer, and 25 foot cable to connect TVP to air signal transducer.

Torque Signal Kit

Part No.	Tool Used On
934918	PTH series pulse tools ("C" & "D" vintage)

7/16" Quick Change Chuck

935472

- For 55 Nm tools
- Pilot on output shaft to minimize runout



Rubber Tool Stand

Part No.	Tool Series
931041	D Series 7PTH – 120PTH

Cooper Power Tools
P.O. Box 1410
Lexington, SC 29071-1410
USA
Phone: 800-845-5629
803-359-1200
Fax: 803-359-0822

Cooper Power Tools
4121 North Atlantic Blvd.
Auburn Hills, MI 48326
USA
Phone: (248) 391-3700
Fax: (248) 391-6295

Cooper Power Tools
5925 McLaughlin Road
Mississauga, Ontario
Canada L5R 1B8
Phone: (905) 501-4785
Fax: (905) 501-4786

Cooper Power Tools de México S.A. de C.V.
Libramiento La Joya No. 1
Bodega No. 2
Esq. Politécnico
Barrio San José
Cuautitlán, Edo de México
C.P. 54870

Phone: +52-55-5899-9510
Fax: +52-55-5870-5012

Cooper Tools Industrial Ltda.
Av. Liberdade, 4055
Zona Industrial - Iporanga
18087-170 Sorocaba, SP
Brazil
Tel: +55-15-3238-3929
Fax: +55-15-228-3260

Cooper Power Tools SAS
Zone industrielle – B.P. 28
77831 Ozoir-la-Ferrière Cedex
France
Téléphone: +33-1-6443-2200
Téléfax: +33-1-6440-1717

Cooper Power Tools GmbH & Co. OHG
Postfach 30
D-73461 Westhausen
Germany
Phone: +49 (0) 73 63/ 81-0
Fax: +49 (0) 73 63/ 81-222
E-Mail: sales-de@cooperindustries.com

Cooper Tools Hungária Kft.
Berkenyefa sor 7
H-9027 Győr
Hungary
Tel: +36-96-505 300
Fax: +36-96-505 301

Cooper (China) Co., Ltd.
955 Sheng Li Road,
Heqing Pudong, Shanghai
China 201201
Tel: +86-21-28994176
+86-21-28994177
Fax: +86-21-51118446

www.cooperpowertools.com

Cooper Industries, Ltd.
600 Travis, Ste. 5800
Houston, TX 77002-1001
P: 713-209-8400
www.cooperindustries.com

